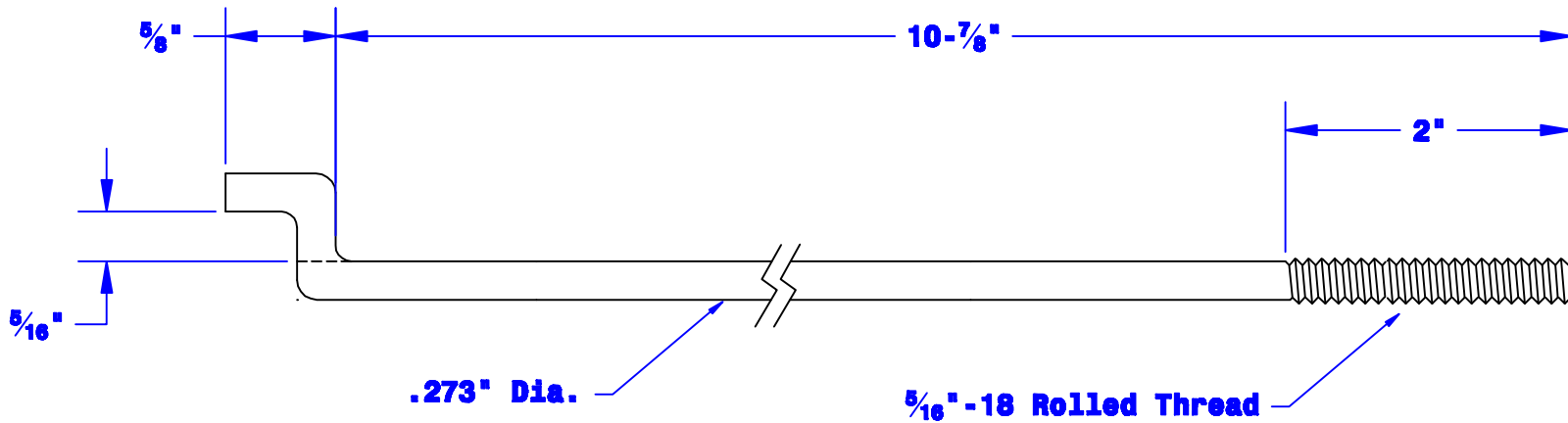


Quick Cable Reserves The Right to Alter Product Types, Their Technical Data, Dimensions, Style And Accessories without Prior Notification.



Property of QUICKCABLE® 3700 Quick Drive Franksville, WI 53126 U.S.A. www.quickcable.com	TITLE 5/16" - 18 X 10-3/4" 90° Hook
	PART # 302126

Confidential and Proprietary Information

Material & Treatment C-1018 Steel Clear Zinc	Drawing # 302126-Info	REV Sheet 1 of 1
---------------------------------------------------------------	---------------------------------	--------------------------------

				Drawn By Jim H	Date 05-31-12	Checked By Mike E	Scale None
				Tolerances, unless otherwise noted Dimensions are reference only			
Rev	Date	ECH#	By	Description			