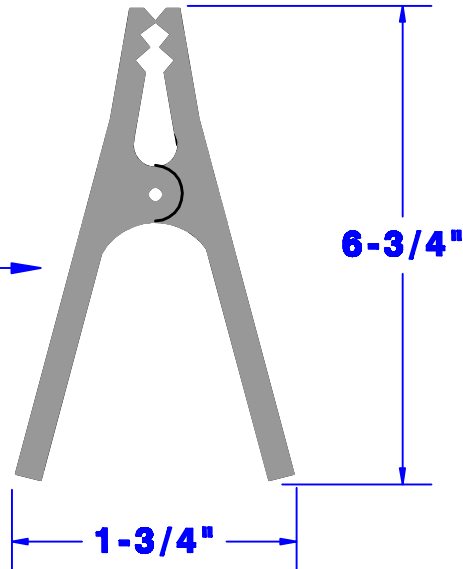
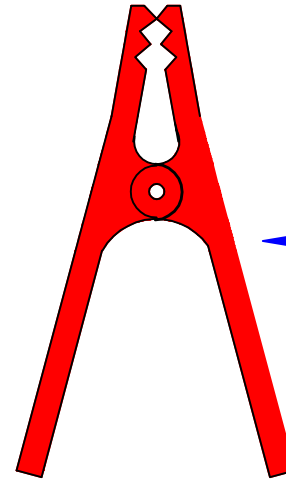


Jaws Open to 1-1/2" Max

Black, Polyethylene
Coated Steel Clamp
Copper Plated Jaws
P/N 850120B



Red, Polyethylene
Coated Steel Clamp
Copper Plated Jaws
P/N 850120R



| | | | |
|-----------------------------------|--|----------------------------------|------|
| Property of QUICK CABLE | | TITLE 400 Amp Mechanics Clamp | |
| 3780 Quick Dr. Frankville WI | | PART # 602050-002 | |
| Material & Treatment | | Drawing # 602050-002-Info | REV |
| | | Sheet 1 | of 1 |

| Rev | Date | ECN# | By | Description |
|-----|------|------|----|-------------|
| | | | | |
| | | | | |
| | | | | |

| | | | |
|------------------------------------|------------------------|-----------------------------|----------------------|
| Drawn By Jim H | Date 3-26-04 | Checked By Nike E | Scale None |
| Tolerances, unless otherwise noted | | | |